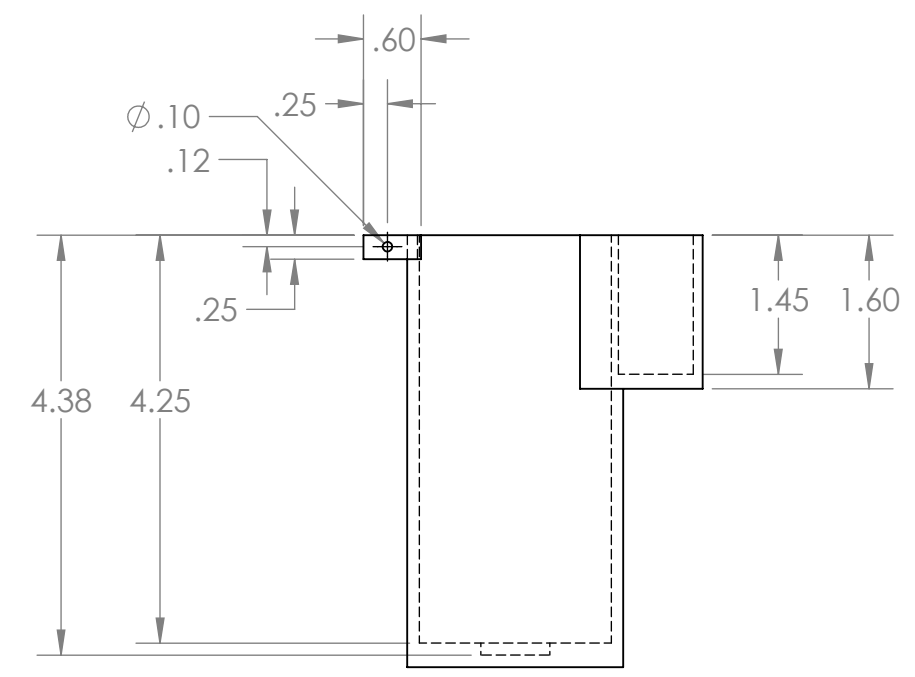
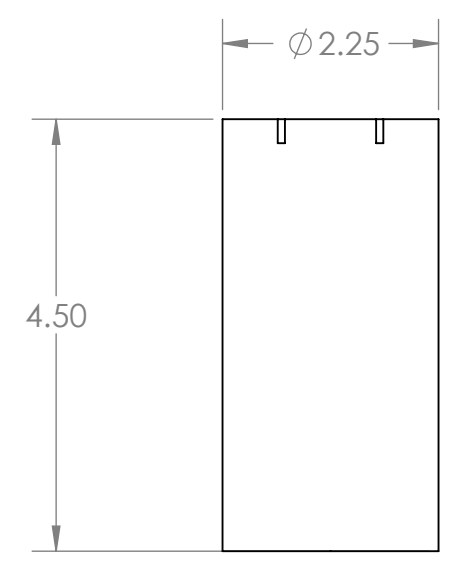
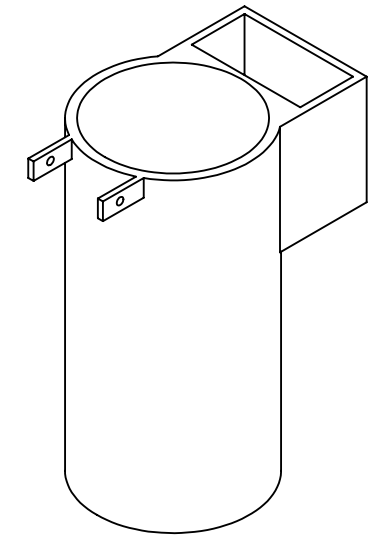


Dimensions are subject to change once more accurate data is acquired



PROPRIETARY AND CONFIDENTIAL
 THE INFORMATION CONTAINED IN THIS DRAWING IS THE SOLE PROPERTY OF <INSERT COMPANY NAME HERE>. ANY REPRODUCTION IN PART OR AS A WHOLE WITHOUT THE WRITTEN PERMISSION OF <INSERT COMPANY NAME HERE> IS PROHIBITED.

		UNLESS OTHERWISE SPECIFIED:	NAME	DATE		
		DIMENSIONS ARE IN INCHES	DRAWN		TITLE:	
		TOLERANCES:	CHECKED			
		FRACTIONAL \pm	ENG APPR.			
		ANGULAR: MACH \pm BEND \pm	MFG APPR.			
		TWO PLACE DECIMAL \pm	Q.A.		SIZE DWG. NO. REV Parachute Canister	
		THREE PLACE DECIMAL \pm	COMMENTS:			
NEXT ASSY	USED ON	MATERIAL				
APPLICATION		FINISH				
		DO NOT SCALE DRAWING	SCALE: 1:2 WEIGHT: SHEET 1 OF 1			